

# VOLVO PENTA IPS 800/900 INBOARD PERFORMANCE SYSTEM

441/515 kW (600/700 hp) crankshaft power acc. to ISO 8665

**NEW!**

## A revolutionary marine propulsion system

Buyers of sports cruisers, flybridge yachts, sport fishing boats, and other craft with traditional inboard propulsion have an increasing demand for reduced emissions – in particular the carbon footprint – but also for improved handling, enhanced onboard comfort, higher speed, and fuel savings.

The Volvo Penta IPS system is the answer, combining all the above with driving pleasure, reliability and outstanding environmental properties.



### Overview

The successful Volvo Penta IPS propulsion system is now available in a larger version matched to our new 11 liter engine. This means that we are reinforcing the IPS range to a performance power level equal to 800 and 900 hp, suitable for approx. 48 up to 55+ feet planing hulls in twin installation. In triple and quad applications the system reaches a power level up to 3,600 hp, applicable for approx. 80–90 feet range.

The new larger Volvo Penta IPS version, having concept, technology and software in common with its smaller sibling, is setting a new standard in:

- Improved efficiency, higher top speed, reduced fuel consumption/extended range, and great acceleration
- Low-speed maneuvering is easier than ever before, and at high speed handling it offers safe and predictable handling
- Much improved overall environmental care
- Onboard comfort is greatly enhanced thanks to much lower levels of sound, vibrations and exhaust fumes
- Installation is greatly simplified
- More space available for accommodation
- Improved safety and redundancy
- Ease of service, the complete system from helm to propeller cone supported by one supplier

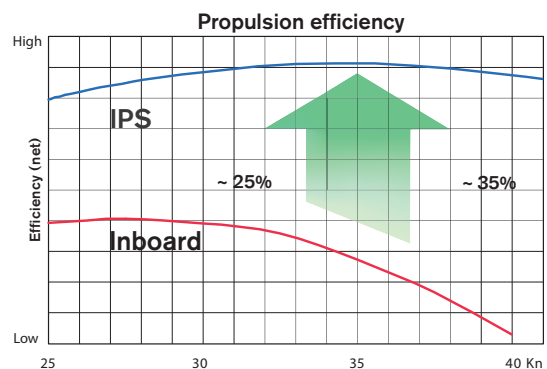
All this is combined with the usual benefits of a traditional inboard such as a robust, high strength construction, excellent corrosion resistance and the propellers under the hull.

### Efficiency and performance

A conventional inclined shaft system starts to lose efficiency at speeds acc. to the lower curve in the diagram below. Low efficiency means less power transmitted to the water, and that more power is needed to increase speed, which, in turn, results in increased fuel consumption, reduced cruising range, and more exhaust emissions. The Volvo Penta IPS offers a revolutionary solution to this, with outstanding efficiency over the whole speed range 28–40 knots (see the upper curve in the diagram).

Volvo Penta IPS has as much as 35% better efficiency at 38 knots. This means that engine power is transmitted much more efficiently into the water resulting in:

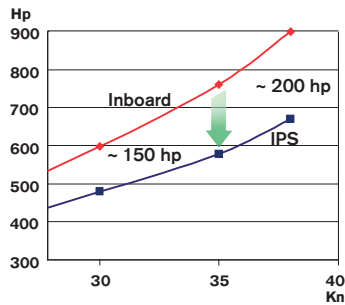
- **Increased speed**
- **Reduced fuel consumption**
- **Faster acceleration**
- **Much less emissions per nautical mile**



**VOLVO  
PENTA**

# VOLVO PENTA IPS 800/900

As an example, the required power at various speeds for a 55 foot, twin installation, 20 ton sports cruiser, the diagram shows the difference in engine power for the two systems. In general terms, if the top speed is above 35 knots, the performance advantage is as much as 35% (equal to approx. 200 hp/engine), while below 35 knots the difference is approx. 25% (i.e. 150 hp/engine). Due to the much higher efficiency with the Volvo Penta IPS system, the fuel consumption and environmental impact will be correspondingly reduced.

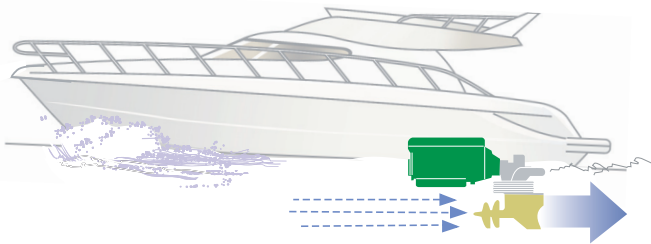


Because of this superior efficiency, the product designations 800/900 communicate engine power required for a conventional shaft installation to reach a comparable performance level.

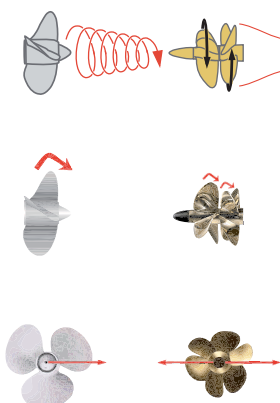
## Why is Volvo Penta IPS so superior?

Part of the improvement in efficiency can be attributed to a state-of-the-art engine – the Volvo Penta D11 – but most of it is achieved thanks to the Volvo Penta IPS propulsion unit. We look at what happens beneath the surface:

- The propellers are forward facing at the front of a hydrodynamically optimized pod unit, working in undisturbed water, with a minimum of pressure pulses affecting the hull, and are specially designed for the D11 engines.
- The unit is designed for an efficient flat hull surface with maximum buoyancy. The propeller thrust is horizontal with all the force driving the boat forward.
- The propeller position is well under the hull giving minimum risk for cavitation caused by air intrusion and less marine growth.



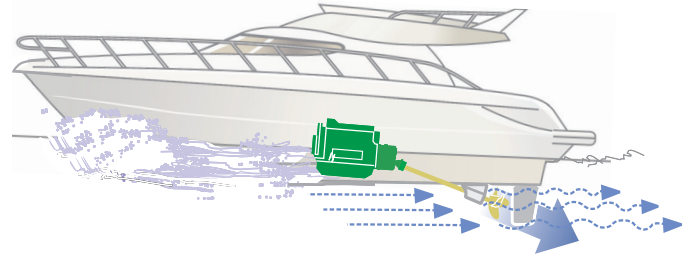
The patented twin counter-rotating seven-blade (3+4) propellers mean:



- less load on each propeller, and no rotational losses
- no through-hub exhaust optimizes large blade area in relation to hub diameter
- minimized tip losses and cavitation
- optimized gear ratio
- does not create any side forces

All together resulting in maximum efficiency and smooth running.

- A conventional shaft system loses efficiency with the thrust angled downward and the propellers working in water disturbed by the propeller bracket, shaft and rudder causing drag.



## Maneuvering and handling

Maneuvering, handling and driving pleasure is where Volvo Penta IPS truly sets a completely new standard. Forget everything you know about complicated docking maneuvers – with Volvo Penta IPS it is easy and safe even with one engine. At higher speeds you will enjoy immediate response to driver commands with safe and predictable handling. Driving the boat is both safe and fun!

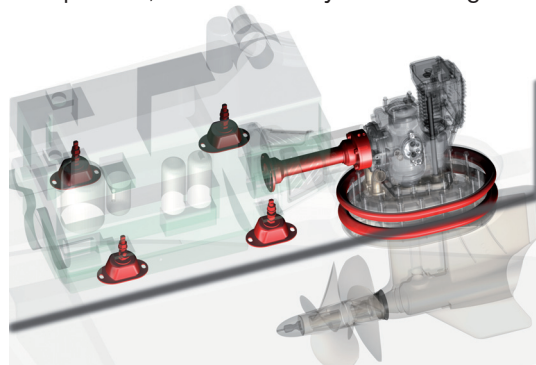
The reason for this amazing maneuverability is:

- The propulsion units are individually steerable, turning and pointing the entire thrust in the desired direction. This results in much higher efficiency and far greater response to driver commands.
- Twin counter-rotating propellers on each propulsion unit means optimum thrust and no side forces, resulting in completely straight tracking.
- Electronic controls give a distinct and precise feeling, and shifting is immediate. Thanks to the progressive electronic steering, the wheel spins easier at low speed, further reducing driver effort.
- The system can also be equipped with revolutionary features such as a joystick and Dynamic Positioning System – see page 4.

## Comfort

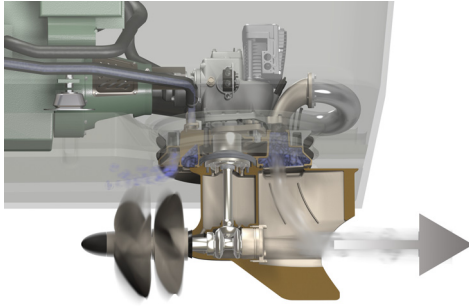
Onboard comfort is one of the main factors for boating enjoyment. Minimal levels of sound, vibration and exhaust fumes make life aboard that much more pleasant. The new technology leads to major improvements for all comfort enhancing factors, not least are the engines usually installed away from the living area and cabins.

- The propulsion forces and vibrations are absorbed by the combined rubber suspension and sealing. A flexible U-joint drive shaft between engine and drive unit allows the engine to be soft suspended, which efficiently reduces engine vibrations.



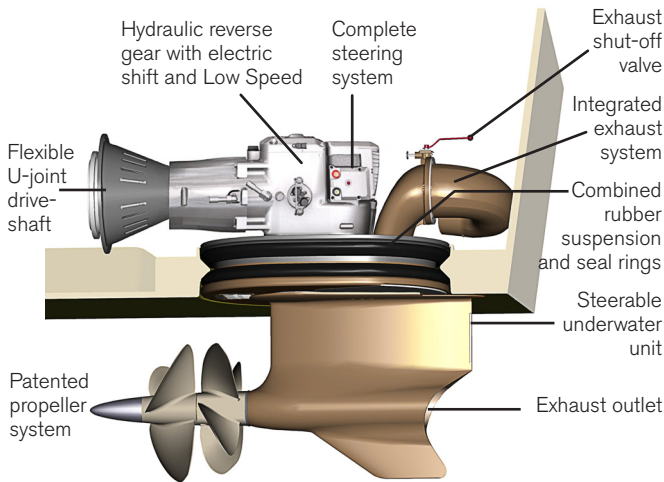
# VOLVO PENTA IPS 800/900

- The propellers are producing horizontal thrust and working in undisturbed water with no cavitation.
- There is an increased number of propeller blades (7) with smaller diameter to distribute the forces in combination with good tip clearance to the hull. This means that the pressure pulses created by the propellers have very little effect on the hull.
- Exhaust fumes are minimized. First of all, the new engines have very low exhaust emissions, and secondly, the exhausts are emitted into the prop wash and carried well behind the boat.



## Installation

### A complete system in a robust design



The Volvo Penta IPS has been developed and is manufactured as a complete system from the helm to the propeller cone – engine, propulsion unit incl. gear box, propellers, exhaust and seawater system, steering, and controls.

Installing the units is easy. Our own tests show reduced installation time by well over 50%.

The Volvo Penta IPS system can be installed with various lengths of drive shafts, for different boat designs.

The system is always installed in a twin or multiple engine configuration.

A special mounting collar is integrated in the hull construction. The propulsion unit is lifted in place from beneath the hull, with the combined rubber suspension and sealing in place. The clamp ring is positioned and attached with standard bolts.

No time-consuming alignment is needed. Steering, shift and throttle plus instrumentation are simply installed with plug-in connectors.

## Safety and quality

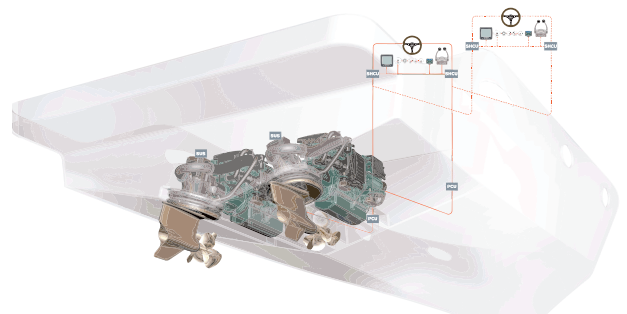
The Volvo Penta IPS system is designed with safety as a key feature: robust design, flexible suspended and redundancy in the EVC system.

Everything in contact with seawater is either made from a specially formulated nickel-aluminum-bronze alloy or stainless steel. Propulsion unit, bearings, couplings, sealings etc. are all robustly dimensioned to cope with the unexpected and ensure a really long and trouble-free service life. A large anode is also linked to the system as standard. For peace of mind the Volvo Penta ACP system can be added as option. See page 4.

Volvo Penta EVC, Electronic Vessel Control, links the system components together, handling all user interface and monitoring including shift, throttle and steering. This CAN-bus based network has been developed by Volvo Penta for marine use with heavy duty connectors and cables. It is based on the same technology as is used in airplanes, ships and cars today.

The design has redundancy with twin independent circuits between dashboard and drive units, plus several safety functions in the system that minimize the risk of damage to engines or propulsion units. High speed impact is always a serious situation, regardless of what drive system the boat has! Volvo Penta IPS has a pre-set break point, all to reduce the risk of causing leakage.

Maneuverability with only one engine further increases safety.



## Environmental care

The Volvo Penta IPS has been developed as a complete system with excellent environmental performance as one of the main design targets. The very high efficiency of the Volvo Penta IPS system gives greatly reduced overall emissions.

Volvo Penta's D11 engines have been developed from the latest design in modern diesel technology. The engines have a robust block with ladder frame and a one-piece cylinder head, forming the base for a smooth-running and durable engine. High pressure electronic unit injector system, 4-valve technology, "twin entry" turbo combined with a mechanical compressor and an efficient charge air cooler governed by the electronic engine management system result in efficient combustion with world-class diesel performance. This produces a unique acceleration capability, while maintaining clean exhausts, low emissions and fuel consumption.

The engines comply with IMO NOx limits and the comprehensive emission requirements EU RCD and US EPA Tier 2.



# VOLVO PENTA IPS 800/900

## General Data

Volvo Penta IPS system designation.....	<b>IPS800</b>	<b>IPS900</b>
Engine displacement, l (in <sup>3</sup> ) .....	10.8 (661)	10.8 (661)
Configuration.....	in-line 6	in-line 6
Crankshaft power, kW (hp).....	441 (600) @ 2300 rpm	515 (700) @ 2350 rpm
Propshaft power, kW (hp).....	417 (567) @ 2300 rpm	487 (662) @ 2350 rpm
Aspiration .....	Twin entry turbo and compressor	
Rating.....	5, 4	5
Package dry weight, approx. kg (lb).....	1800 (3968)	1800 (3968)
Propeller series.....	P2-P8	P2-P8
Voltage.....	24V	24V
Application.....	Twin/multiple engine installation in planing hulls	
Speed range.....	28 to 40 knots	

Technical data according to ISO 8665. With fuel having an LHV of 42,700 kJ/kg and density of 840 g/liter at 15°C (60°F). Merchant fuel may differ from this specification which will influence engine power output and fuel consumption.

The engines comply with IMO NOx limits and the comprehensive emission requirements EU RCD and US EPA Tier 2.

Contact your local Volvo Penta dealer for further information.

Not all models, standard equipment and accessories are available in all countries. All specifications are subject to change without notice.

The engine illustrated may not be entirely identical to production standard engines.

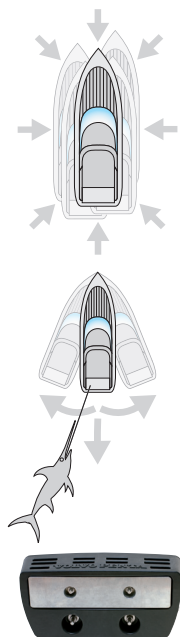
## Service

The Volvo Penta IPS has extremely low service requirements, actually even lower than in the case of a traditional inboard installation – no need for change of shaft seals and cutless bearings or shaft realignment. With the propellers placed under the hull marine growth is minimized, and with all components exposed to seawater made of either nickel-aluminum-bronze or stainless steel, excellent corrosion resistance is achieved. The yearly service only consists of conventional maintenance items, change of anode, and a visual inspection. The oil and filter in the propulsion unit is replaced every second year or 400 hrs.

Since the installation is connected to EVC – Electronic Vessel Control – there is no need for cable adjustments. Diagnostics and fault tracing are easily performed by any authorized Volvo Penta service dealer. Repair work is much easier than with inboard shafts. All parts from helm to propeller cone are easily available off-the-shelf, getting the boat quickly back on the water.

## Other options

- **Color LCD display**
- **Trip computer**
- **Dynamic Positioning System**  
Just the touch of a button activates the Dynamic Positioning System that holds your boat's position and heading even with wind and current action. Specially designed software works together with a twin receiver GPS antenna to operate and maneuver your IPS system automatically.
- **Sport fish mode**  
The most powerful tool to keep up with the big fish! Dedicated for big-game fishing.
- **Active Corrosion Protection (ACP) for Volvo Penta IPS**  
3-level protection for your IPS system, integrated with EVC. Protects your investment and gives you peace of mind.



## The Joystick Revolution (option)



With the joystick the driver can now maneuver the boat, at low speed. The joystick is coupled to a sophisticated and specially developed software that individually commands the electronically controlled engines and underwater units of the system to steer, throttle and shift gears independently, making the boat move in any direction the driver wants – sideways, diagonally, forward, backward or rotate – with just one hand.

Visit [volvopenta.com](http://volvopenta.com) to see for yourself!

### Docking Station

You can have a joystick at a helm station, or “stand-alone” without controls and steering wheel. Place one on the aft deck or wherever you have best visibility! Up to four joysticks are possible.

# VOLVO PENTA

**AB Volvo Penta**  
SE-405 08 Göteborg, Sweden  
[www.volvopenta.com](http://www.volvopenta.com)